



SMD Shielded Power Chokes - SDC6D28 SERIES

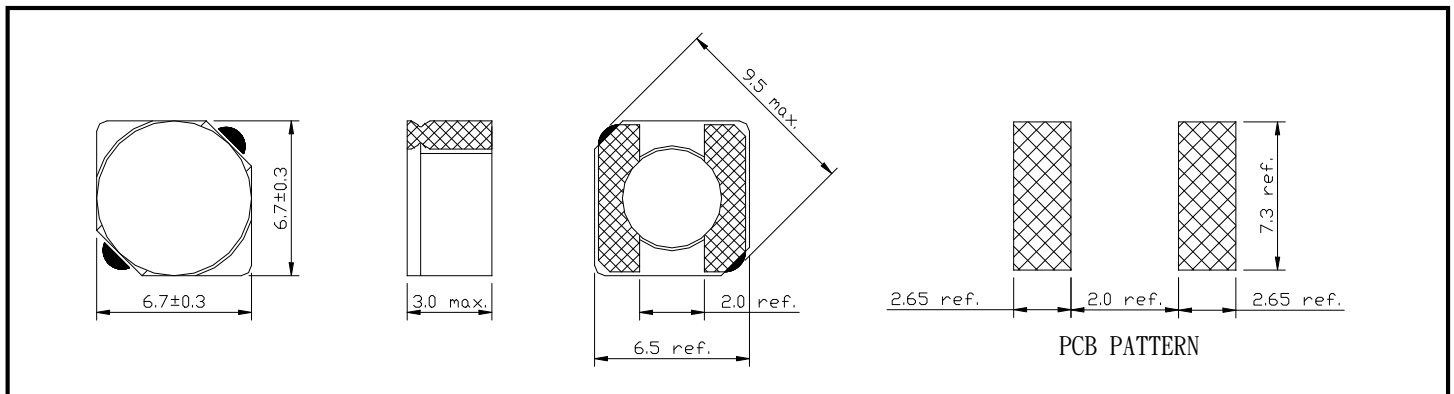


PART NUMBERING SYSTEM

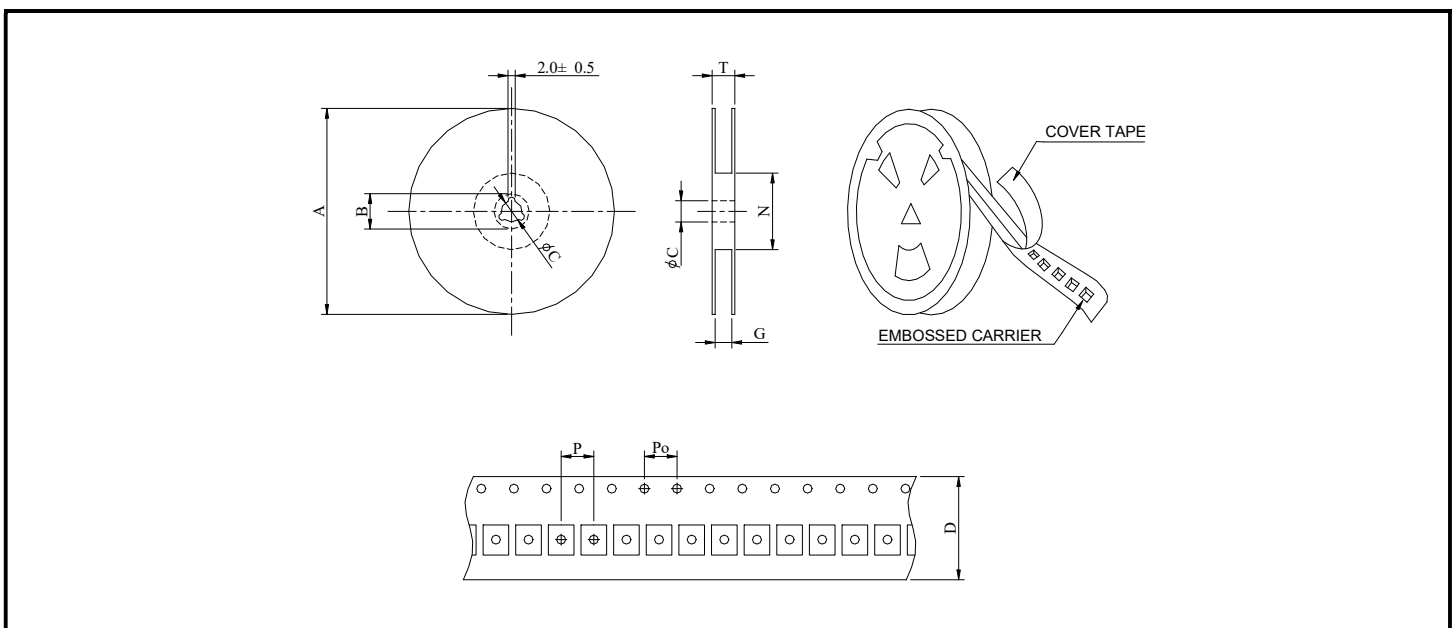
SDC	6D28	—	150N	—	LF
TYPE	DIMENSIONS		INDUCTANCE		LEAD FREE

SHAPES AND DIMENSIONS

UNIT : mm



PACKAGING SPECIFICATION



SERIES	STAYLE	Q'TY (PCS)	DIMENSIONS (m/m)								
			A	B±0.8	C±0.5	D	G ⁺⁰	N ⁰	P	Po	T
SDC6D28	13-16	1,000	330	21	13	16	18	50	8	4	22.4

SMD Shielded Power Chokes - SDC6D28 SERIES



SPECIFICATION TABLE

PART NUMBER	INDUCTANCE (μ H)	DCR (m Ω) (Max.)	IDC (A)	TEST FREQ. (Freq.)
SDC6D28-3R0N-LF	3.0 \pm 30%	24	3.00	10KHz
SDC6D28-3R9N-LF	3.9 \pm 30%	27	2.60	10KHz
SDC6D28-5R0N-LF	5.0 \pm 30%	31	2.40	10KHz
SDC6D28-6R0N-LF	6.0 \pm 30%	35	2.25	10KHz
SDC6D28-7R3N-LF	7.3 \pm 30%	54	2.10	10KHz
SDC6D28-8R6N-LF	8.6 \pm 30%	58	1.85	10KHz
SDC6D28-100N-LF	10 \pm 30%	65	1.70	10KHz
SDC6D28-120N-LF	12 \pm 30%	70	1.55	10KHz
SDC6D28-150N-LF	15 \pm 30%	84	1.40	10KHz
SDC6D28-180N-LF	18 \pm 30%	95	1.32	10KHz
SDC6D28-220N-LF	22 \pm 30%	128	1.20	10KHz
SDC6D28-270N-LF	27 \pm 30%	142	1.05	10KHz
SDC6D28-330N-LF	33 \pm 30%	165	0.97	10KHz
SDC6D28-390N-LF	39 \pm 30%	210	0.86	10KHz
SDC6D28-470N-LF	47 \pm 30%	238	0.80	10KHz
SDC6D28-560N-LF	56 \pm 30%	277	0.73	10KHz
SDC6D28-680N-LF	68 \pm 30%	304	0.65	10KHz
SDC6D28-820N-LF	82 \pm 30%	390	0.60	10KHz
SDC6D28-101N-LF	100 \pm 30%	535	0.54	10KHz

- Isat : DC current at which the inductance drops 35% (typ) from its value without current.
- Irms: The actual current when temperature of coil becomes $\Delta 40^{\circ}\text{C}$. ($T_a = +25^{\circ}\text{C}$)
- Operating temperature range -40°C to $+125^{\circ}\text{C}$, Electrical specifications at 25°C .
- Packing : 13" reel, machine-ready ,embossed plastic tape (1,000 parts per full reel).